

HIGH SENSITIVITY LINE DETECTOR



General characteristics

Detector whole design, technology, style and manufacture are all Italian

- Suitable for use in all industrial and civil premises
- Extremely easy to install and program
- Very inexpensive to assemble, wire up and maintain
- The detector can be installed horizontally or vertically and can work at any angle
- The integrated diaphragm permits a wide range of adjustments

CLI control and programming unit for linear beam detectors

- Connection from 1 to 8 ILIA detectors, even of different model. Expansion board up to 8 detectors (optional).
- Alarm and fault outputs for each individual detector connected
- General alarm outputs, fault (delayed) and maintenance request
- Double RS485 serial line for open lines or loop, even with one connected detector only
- Double independent power input
- Operational access to the programming keyboard protected by password
- Selectable language menu (ITALIAN / ENGLISH / GERMAN / POLISH)
- Clock and Calendar
- 128x64 pixel graphic display with full event description
- Store events for each single detector, with real-time status analysis and recording range adjustable by menu
- Store event and time logs. Possibility to read logs from PC via USB
- Alarms reset by specific menu and / or control panel via dedicated reset input
- Cabling facilitation
- N° 20 cable inputs from the bottom side
- Predisposition for internal mounting plate and DIN rail
- Field installation at ground level
- Protection rate IP65
- RoHS Compliance
- Full compatibility with ILIA line detectors in Tx-Rx version, produced since May 2009 and with short isolator base

Base can also be installed separately from the detector for pre-wiring

- Plug-in base for detector connection
- Back up board to ensure continued working even after short circuit

Key special key for alignment, diaphragm adjustment and opening and closing of the base and of Control Unit

Product features

- ❖ The system is made up of the following components
 - Receiver (Rx)
 - Transmitter (Tx)
 - Control and programming Unit (CLI)
 - Opening/closure allen key
- ❖ Standard EN 54/12, 54/17 and 54/18
- ❖ Protection degree IP65
- ❖ RoHS compatibility
- ❖ Thermoplastic PPE + PS case with *High Impact* resistant and with self extinguishing material - class V0
- ❖ Complete directional stability over time
- ❖ Operating distance 10 to 200 m
- ❖ Connections by serial line RS485, 4 wires
- ❖ CLI, DUST and FROST version selectable by menu
- ❖ Sensitivity adjustable and selectable over a wide range, using the control and programming unit CLI
- ❖ **High immunity threshold to avoid the environmental disturb** with the **DUST** and **FROST** version of the Controller
- ❖ Automatic threshold compensation
- ❖ Test alarm function
- ❖ Maintenance request
- ❖ Automatic reset of detector after break in infrared beam
- ❖ Fault output relay that can be delayed up to 90 seconds
- ❖ Self-tester for RS485 communication
- ❖ Angle misalignment: ± 1 degree max
- ❖ Power supply 24V DC



Current absorption figures are total for ILIA (Tx and Rx) and CLI control and programming unit (all versions)

CLI and 1 detector connected		
Power supply	Stand By (mA)	Typical (mA) alarm or fault relay
24V	100	150

CLI and 8 detectors connected		
Power supply	Stand By (mA)	Typical (mA) alarm or fault relay
24V	300	350

ILIA Tx/Rx MOD. ERHS0712

Operating temperature	-20°/+65° C
Storage temperature	-20°/+70° C
Electromagnetic disturbance	EMC test up to 30 Volt/m
Power supply	24V DC ± 20%
Cable type	minimum section of 0,5 mm ² with 4 wires
Maximum cable length	max 1200 m from Control Unit to line detectors (double in loop configuration)
Operating distance	from 10 to 200 metres
Maximum permitted cover	max 1600 sq metres for detector - according to National Standard
Width cover	max 15 metres - according to National Standard
Detector/connector protection rating	IP65
Angle misalignment	± 1 degree max for Tx Unit and Rx Unit
RAL Colour	9005 jet black, 1013 oyster white (on request)

CONTROL AND PROGRAMMING UNIT MOD. CLI

Operating temperature	-20°/+65° C
Storage temperature	-20°/+70° C
Power supply	24V DC ± 20%
Maximum cable length	Max 1000 m with 1 sq mm cable to Control Panel
Cable section per output	0,5 ÷ 1,5 sq mm
Connectable detectors	1 to 8
Control Unit/Connector protection rating	IP65
RAL Colour	9005 jet black

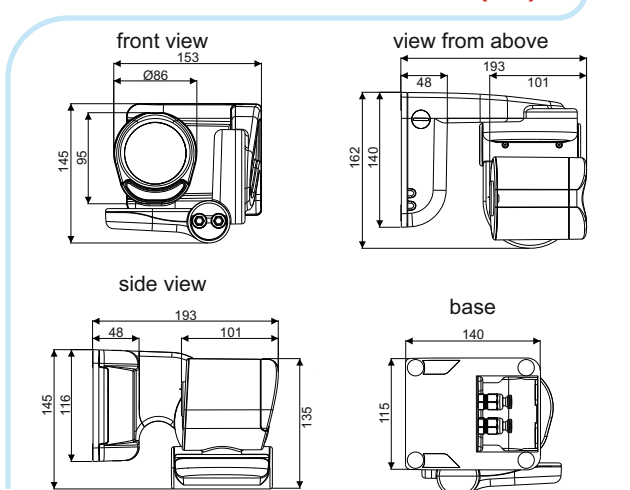
WEIGHT (in kilos)

Tx Unit	0,735
Rx Unit	0,775
CLI	2,400
Basic kit	3,910

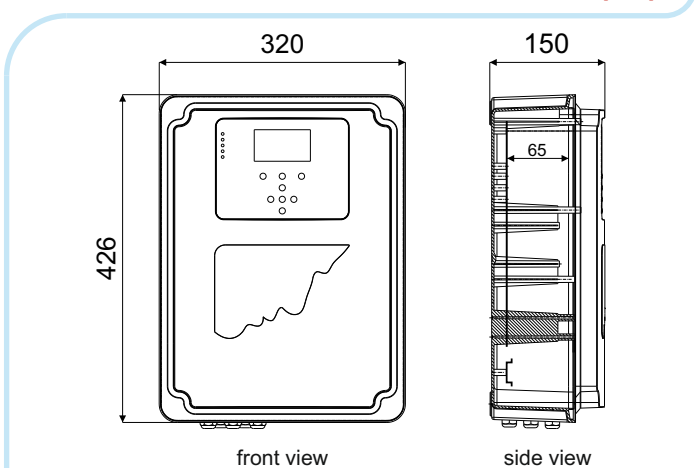
MATERIALS

PPE + PS <Noryl>
Flame Class V0
self extinguishing

ILIA ERHS0712 (mm)



CLI (mm)



CERTIFICATIONS



n° G209195



0786-CPR-20925



n° 01069



SETRONIC VERONA
info@setronicverona.com • +39 045 8347777

Mod. ERHS0712-C-EN rev. 00 Setronic Verona reserves the right to make any changes it considers necessary to improve its products without prior warning. SETRONIC Verona is the sole owner of the data and images contained in this booklet. Any misuse will result in legal action being taken.