



MAD-569-I

MAD-569-I-B

Addressable sounder with VAD base kit

Description

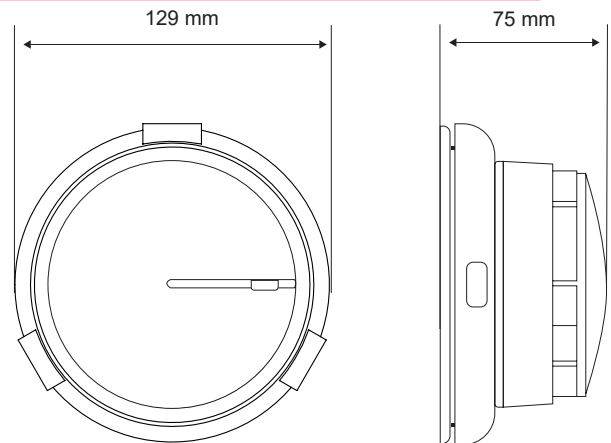
The MAD-569-I and MAD-569-I-B sounder with VAD base kit has been designed to be used in a Detnov's addressable system and it is a basic element of acoustic signalling within a fire protection system.

MAD-569-I and MAD-569-I-B is directly connected to the loop and it takes up to 1 address in the loop. It needs to be addressed by the PGD-300 programmer or by auto addressing.

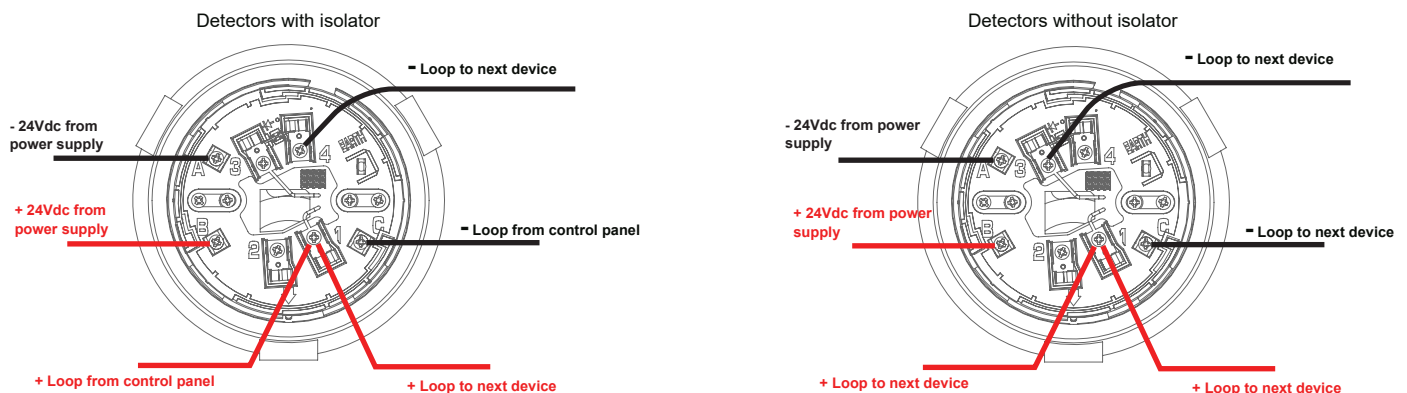
It has 32 selectable tones via micro switch and 4 configurable volumes: low, medium-low medium-high and high, as well as the coverage of the visual device by adjusting the power of the LED between low and high

Features and Dimensions

- Up to 32 tones
- Default C3-9,2 coverage
- Low consumption
- Direct power supply from the loop or from auxiliary 24V input
- Connection with removable terminal blocks, easy to terminalise
- Built-in isolator
- EN 54-3, EN 54-17 and EN 54-23 approved
- Compatible with Detnov's addressable detectors and control panels



Wiring



The addressable sounders are designed to be powered directly from the loop or from an external 24V power supply. If using the external 24V power supply, connect (-) to terminal A and (+) to terminal B.

Applications

Addressable sounders MAD-569-I and MAD-569-I-B are used to warn people in a building to start the evacuation procedure if necessary. They are basic devices in any installation along with manual call points and detectors.

Technical features

| Sounder- VAD | |
|--|--|
| Loop features: | |
| Operating voltage: | From 23 to 38VDC |
| Quiescent current consumption: | |
| feeding from the loop | 1,5 mA (low power consumption and low coverage (2)) |
| external 24Vdc power supply: | 0,6 mA (low power consumption and low coverage (2)) |
| Alarm consumption | 2,2 mA (power consumption in the loop (2)) |
| feeding from the loop: | 24 mA (low power consumption and low coverage (2)) |
| external 24Vdc power supply: | 12,5 mA (low power consumption and low coverage (2)) |
| | 3 mA (power consumption in the loop (2)) |
| Volume: | 92 dB(A) @1m, 970 Hz. continuous tone (2) @24V |
| Up to 32 selectable tones | |
| 4 configurable volumes: low (by default), medium-low, medium-high and high | |
| High coverage (C3-15): | 28,5mA@24V |
| Low coverage (C3-9,2) : | 12,5mA@24V |
| Connections | |
| | 2 x 1.5 mm ² twisted and shielded cable (1) |
| Environment | |
| Operating temperature: | From -10°C to +55°C |
| Relative humidity: | 95% without condensation |
| IP Index: | IP21C |
| Physical features | |
| Dimensions (height x Ø): | 129 mm x 75 mm (with detector) |
| Material: | ABS V0 |
| Colour MAD-569-I: | White |
| Colour MAD-569-I-B: | Black |
| Weight | 240 g |
| Approvals | |
| EN 54-3, EN 54-17 and EN54-23 | |
| Certificate number: | 0370-CPR-6359 |

(1) Shielded if necessary.

(2) Check with "System calculator" tool the maximum number of devices and the loop lenght accoding to the cable cross-section used data based on the default configuration

Accessories



TBD-470

Protective cap for the sounder bases.
Colour white



TBD-470-B

Protective cap for the sounder bases.
Colour black