



KIT-SBN99

KIT-SBN99-B

KIT-SBN99-F

KIT-SBN99-F-B

Conventional sounder beacon base kit

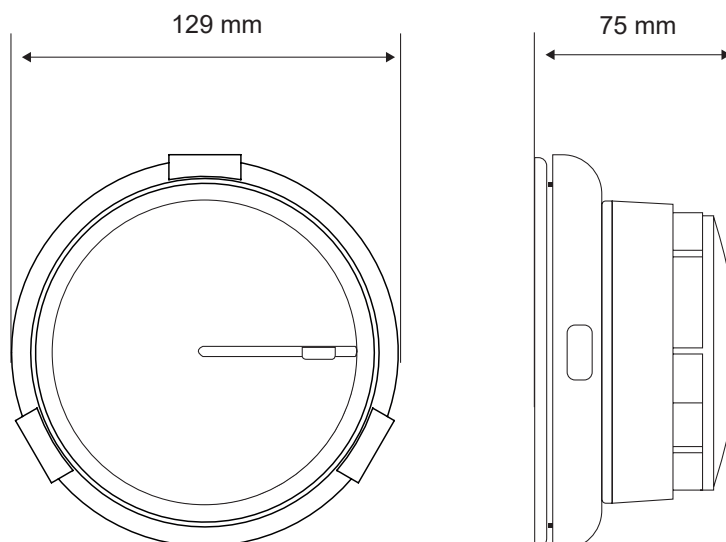
Description

The sounder beacon kit with a built-in base is ideal for applications requiring an integrated detection and alarm device (both acoustic and visual).

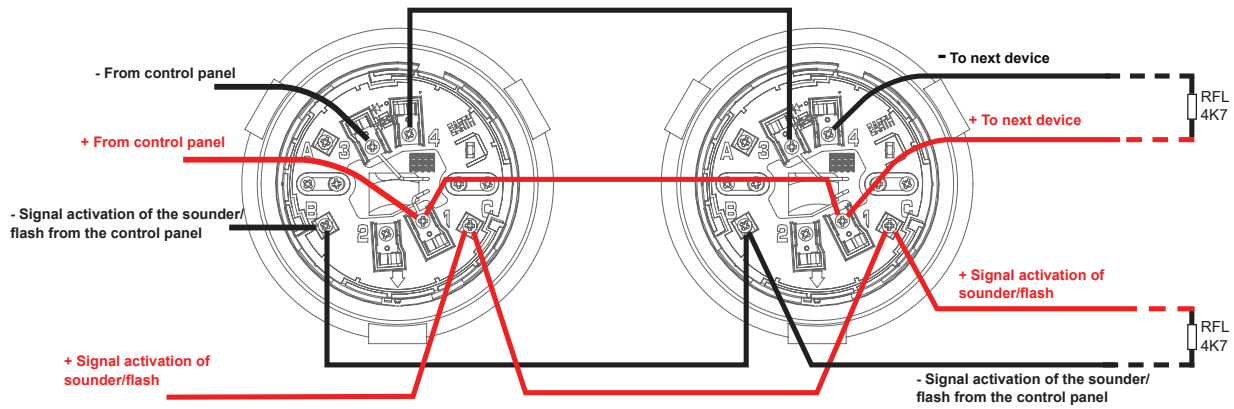
The device features several high-intensity LEDs strategically distributed to meet all the regulatory requirements of the EN 54-23 standard. Additionally, it incorporates a high-power siren certified to EN 54-3, whose combination provides an acoustic and visual alarm signal to people in the building.

Features and dimensions

- Compatible with Detnov's conventional detectors and control panels
- Up to 32 tones
- Default C3-9,2 coverage
- Low consumption
- Connection by means of removable terminal blocks, easy wiring
- CPR approvals EN 54-3, EN 54-23
- Synchronised flash
- KIT-SBN99-F and KIT-SBN99F-B pre-configured with silenced acoustic output.



Wiring



Applications

Conventional sounders are used to warn people in a building to start the evacuation procedure if necessary. They are basic devices in any installation along with manual push buttons and detectors.

Technical features

Base		
Operating voltage:	From 16 to 40 VDC	
Potencia acústica:	To 96,2 cB @ 1m @24 V. continuous tone 970 hz	
Alarm consumption		
High coverage (C3-15):	28,5mA@24V	
Low coverage (C3-9,2) :	12,5mA@24V	
Connections		
	2 x 1.5 mm ² twisted and shielded cable	
Environment		
Operating temperature:	From -10°C to +55°C	
Relative humidity:	95% without condensation	
IP Index:	IP21C	
Physical features		
Dimensions (height x Ø):	129 mm x 75 mm (with detector)	
Material:	ABS V0	
Colour KIT-SBN99 y KIT-SBN99-F:	White	
Colour KIT-SBN99-B y KIT-SBN99-F-B:	Black	
Approvals		
EN 54-3, EN54-23		
Certificate number:	0370-CPR-3818	

Accesories



TBD-470

Protective cap for the sounder bases.
Colour white



TBD-470-B

Protective cap for the sounder bases.
Colour black